

582470 (L-VWM06A/EN) 6 W Cabinet Loudspeaker

- ✓ **Intelligible voice and superior sound reproduction**
- ✓ **Robust metal enclosure**
- ✓ **Harmonious with all indoor decoration**
- ✓ **Simple power setting**
- ✓ **Easy installation**
- ✓ **Complies with EN 54-24 standard**



General

This loudspeaker is a high-performance 6 W voice alarm cabinet loudspeaker. It provides a broad frequency response range, low distortion and high sound pressure level for accurate and intelligible broadcast of evacuation messages and high quality sound reproduction. Its ideal for sound distribution in various types of commercial buildings. Its low-profile, white color design blends easily with most interiors in locations such as hotels, conference rooms, cinemas, factories and exhibitions.

This voice alarm cabinet loudspeaker complies with BS 5859 part 8 and is certified according to EN 54 part 24.

With Transformer: 100 V / 70 V line

	Red wire plus tapping				Black
	100 V	0.75 W	1.5 W	3 W	6 W
70 V	0.375 W	0.75 W	1.5 W	3 W	Com
IMP (Ω)	13 K	6.7 K	3.3 K	1.7 K	

Dispersion Angles

		Horizontal	Vertical
1 oct pink noise	500 Hz	226 °	226 °
1 oct pink noise	1 kHz	175 °	174 °
1 oct pink noise	2 kHz	85 °	88 °
1 oct pink noise	4 kHz	96 °	85 °

Mounting

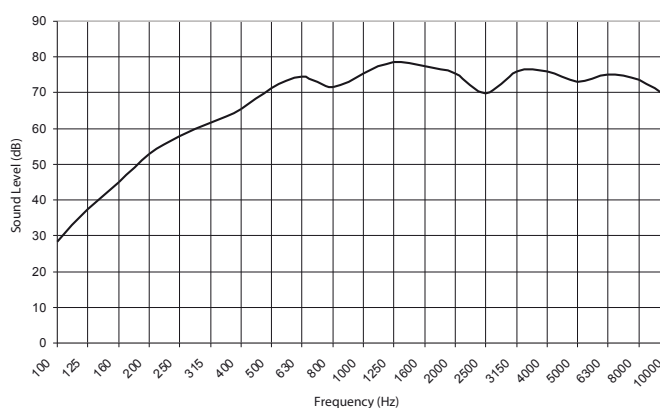
The loudspeaker is designed for quick and simple installation. First, mount the back can on the wall or on the junction box using the rear screw slots. Cable can be entered from the rear or the side. Second, secure the grille cover with three side screws.

Power setting

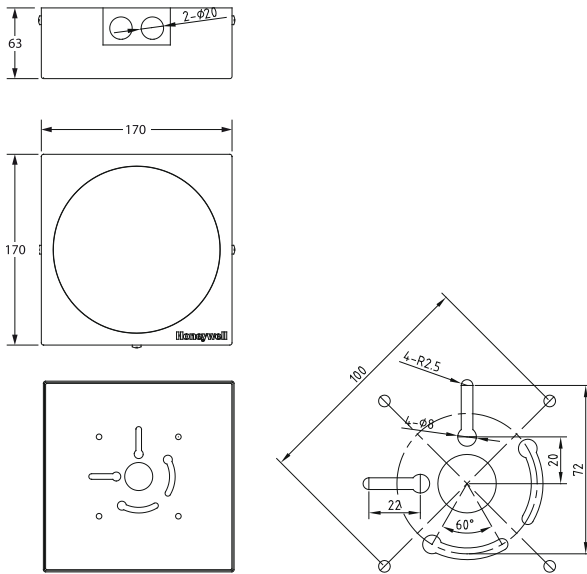
There are four primary taps including 6 W, 3 W, 1.5 W and 0.75 W for your selection. The cable connector is mounted on the back cover for easy installation.

Frequency Response

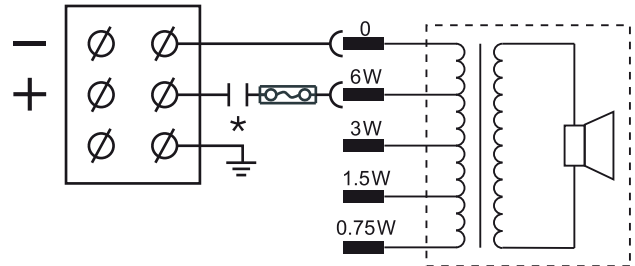
Frequency response at 100 V / 4 m / 1/3 oct. smoothing



Dimensions



Circuit Diagram



Specifications

Max. power	9 W
Rated power	6 W
Power tapping	6 W / 3 W / 1.5 W / 0.75
SPL @ 1 W / 1 m (100 Hz ~ 10 kHz)	91 dB
SPL @ 6 W / 4 m (100 Hz ~ 10 kHz)	86 dB
Frequency range (- 10 dB)	300 Hz ~ 15 kHz
Rated input voltage	100 V / 70 V
Rated impedance	1.7 k Ω / 3.3 k Ω / 6.7 k Ω / 13 k Ω
Connection	Ceramic terminal
Operating temperature	- 25 °C ... + 55 °C
Storage temperature	- 40 °C ... + 70 °C
Relative humidity	< 95 %
Material	Metal
Color	White, similar to (RAL 9003)
Weight	1.56 kg
Diameter of speakers	4 "
Dimensions	170 mm x 170 mm x 63 mm
Declaration of performance	CPR-DoP-2013002

Order information

6 W cabinet loudspeaker

Part No.

582470

Additional order information can be found in the product catalog "VAPA System VARIODYN D1"

* The reference axis is perpendicular to the centre point of the front grille

* The reference plane is perpendicular to the centre of the reference axis

* The horizontal plane is perpendicular to the centre of the reference plane

* The spec/date was measured using a standard baffle mounting in an anechoic chamber as described in EN 54-24